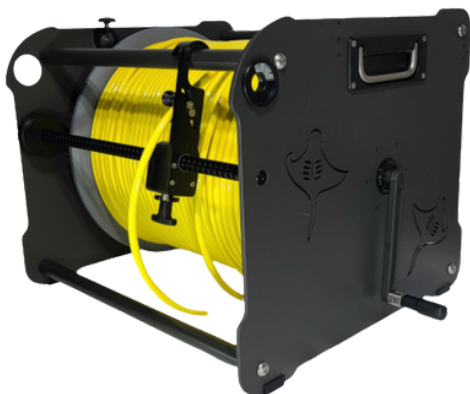


## CROC Series

### PRODUCT OVERVIEW

Reach Systems' line of reels offer innovative solutions for cable management across a wide range of applications and industries.

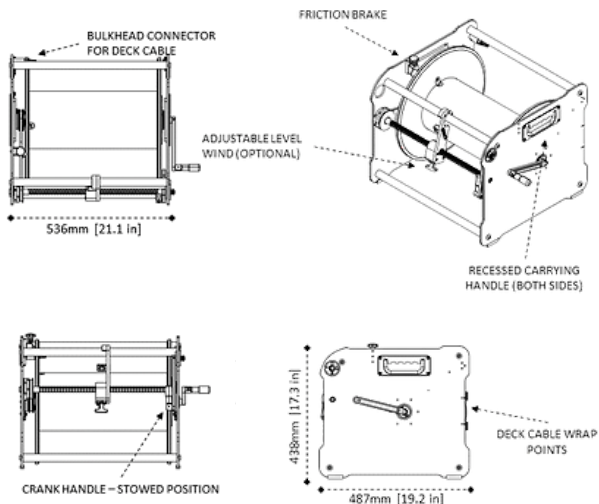
The CROC reels are designed for mid-sized ROV, robot and camera cable applications; economical, durable and adaptable, these units are ideal for managing tethers on almost any type of remotely operated system. They are big enough to support more than 1 km of cable (at 5 mm diameter), but still small enough to be portable - a fully loaded reel fits inside the larger Pelican® cases and can be easily managed by two people. A range of options and add-ons are available including fiber or copper slip rings, adjustable level winds, manual or motorized payout and retrieval, deployment sheaves, and distance counters.



**MODEL 008-440**  
VideoRay OEM Version  
TMS

### CROC MODEL 008-440

#### Features



### SPECIFICATIONS

**Construction:** 6061-T6 Aluminum and Acetal

**Weight:** 16 Kg [~35 lbs] (without cable or level wind)

**Slip-ring:** 8 Conductor, 28 AWG, 240 VDC/AC (options for higher voltage, extra conductors, fiber optic, etc)

#### Options:

- Adjustable level-wind
- Motorized payout/retrieval
- Deployment arm/sheave

#### Capacity

Cable Diameter	Max Length
5 mm [0.2 in]	1300 m [4200 ft]
8 mm [0.3 in]	500 m [1650 ft]
10 mm [0.4 in]	300 m [1000 ft]

OEM/White Label branding available upon request.